

## Combination Alarm Zone Valve Box - NFPA 99

### SPECIFICATION

#### Medical Signaling Device

The integrated medical gas notification alarm panel provides area alarm signals as required by the latest edition of NFPA 99. The alarm is ETL listed to UL 1069 and CSA C22.2 No.205 Signal Equipment.

All field wiring and signals are self-monitoring and on a closed circuit. Fault signals activate on an open circuit.

#### 7" Touch Screen LCD Display

- Alarm display screen is 7" screen LCD display
- The LCD touch screen display allows for all alarm programming and set up on site without the use of tools
- A Green NORMAL condition on the home screen shows that there are no alarms active
- The home page includes a location/area served badge for the alarm panel, customizable with the keyboard feature of the touch screen during the set up process
- LCD display contains an adjustable background with many color/brightness options
- A full diagnostic self-test of the alarm tests the alarm signals (green and red), the LED indicators on the front panel, the audible horn, and displays all of the alarm set points. Initiate the test with touchscreen controls

#### Power

- Input power to the alarm panel is 100 to 250 VAC 50/60 Hz, fused on the input side rated at 250mA, time delayed
- The internal power supply converts the input voltage to low voltage 24VDC
- All user accessible electronics and wiring utilize low voltage
- Plastic guard protects user from high voltage wiring

#### Alarm Panel Configuration

- Alarm panel monitors 1 to 7 digital gas sensor modules installed in the zone valve box assembly
- Display screen continuously displays the monitored gas pressures or the vacuum in the piping system
- Customize gas badges on the display for gas types, color, and language. Type in areas served per gas during set up process through the touchscreen interface
- Program the units of measure for each gas badge to read PSI, BAR, and kPa in increments of 1 PSI, .1 BAR, and 10 kPa respectively
- Visual indicators for system pressure or vacuum are NORMAL (green) and individual indicators (red) for alarm fault condition such as LOW or HIGH pressure
- Low and high alarm points are factory set per NFPA 99 standards, but remain field programmable through touch screen interface
- The alarm panel contains a general fault relay for the entire panel
- Audible HORN produces a minimum sound pressure level of 80 dBA measured at a distance of 3 ft. (.92m), adjustable to 90 dBA at 3 ft. (.92m)
- MUTE icon flashes red during an alarm condition and remains illuminated as a constant red after silencing until the fault is corrected



#### Area Alarm Digital Sensor

- Gas specific digital gas sensors contain a transducer capable of providing factory calibrated signals to the alarm panel
- Gas sensors installed within the zone valve box assembly
- Digital gas sensors include a "heartbeat" flashing green LED light to indicate proper functionality

#### Zone Valve Box Assembly

Valves are full port, double seal, ball-type with three piece bronze/brass body and chrome plated brass ball. Valves consist of the following:

- Designed for a maximum working pressure of 600 psig WOG or vacuum service to 29" Hg
- Valve body has reinforced PTFE ball seat and reinforced PTFE stem seals
- Valve stem is blowout proof
- All valve materials are compatible with USP oxygen, nitrous oxide, medical air, carbon dioxide, helium, nitrogen, argon, and mixtures thereof

The valves and valve box assembly fully comply and meet all requirements of NFPA 99.

- A ¼ turn of the handle is required to operate the valve from OPEN to CLOSED position
- Valves are securely attached to the box and provided with type K copper tube extensions for making connection to system piping outside the box
- Valves are three piece design, fully serviceable in the line
- Valves are supplied cleaned and prepared for oxygen service
- All valves meet the Cv factors as required by NFPA 99

All valve assemblies have a total of three 1/8" NPT ports with pipe plugs.

- One port is used as a provision for connection of a gauge, located on the terminal outlet side of the valve to register pipeline pressure or vacuum
- A second port, also located on the terminal outlet side of the valve, can accept a DISS connection of a gas sensor
- A third port is located upstream of the valve and can be used either for a DISS connection of a gas sensor, or for purging during the brazing process

### **Zone Valve Box Design**

The zone valve box is constructed of 18-gauge, galvanized steel with white epoxy powder coat finish.

- Valve boxes with 1/2" through 2" valves require a rough wall opening of 13 5/8" wide x 4" deep
- Provided with two 18-gauge galvanized steel mounting brackets, adjustable from 3/8" thick to 1-1/2" thick drywall, for ease of installation
- Design allows for up to 7 valves within the rough-in box assembly
- Suggested gas flow is from left to right
- Nylon 6/6 Insulated grommets allow for ease of valve replacement and reorientation within the rough-in box
- Provided with color-coded gas identification labels
- Color coded gas identification labels also available online for printing

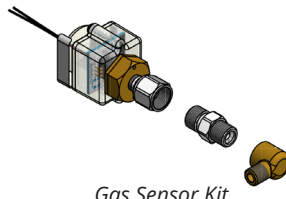
### **Trim Frame**

The zone valve box is provided with an anodized aluminum trim frame.

- Designed for high impact resistance
- Capable of adjusting to variations in wall thickness up to 1" below flush



Alarm Zone Valve Box with Cover



Gas Sensor Kit

### **Zone Box Door**

The zone valve box assembly has an opaque door with pull ring

- In an emergency, the door will SNAP OUT by pulling the pull ring forward without exposing sharp edges
- Zone Valve Box door is treated with Biomaster\*
- The assembly door has a label that reads:

**- CAUTION -**

**CLOSE VALVES ONLY IN EMERGENCY**

### **Compliance**

- Ball valves conform to MSS SP-110
- The Type K copper tube extensions conform to ASTM B88, UNS No. C12200, and H58 temper
- Complete valve assembly (valve and tube extensions) cleaned for oxygen service per CGA Pamphlet G-4.1
- The gauges conform to ANSI B40.1
- The zone valves and box assembly meet all requirements of NFPA 99 and CAN/CSA Z7396.1-09

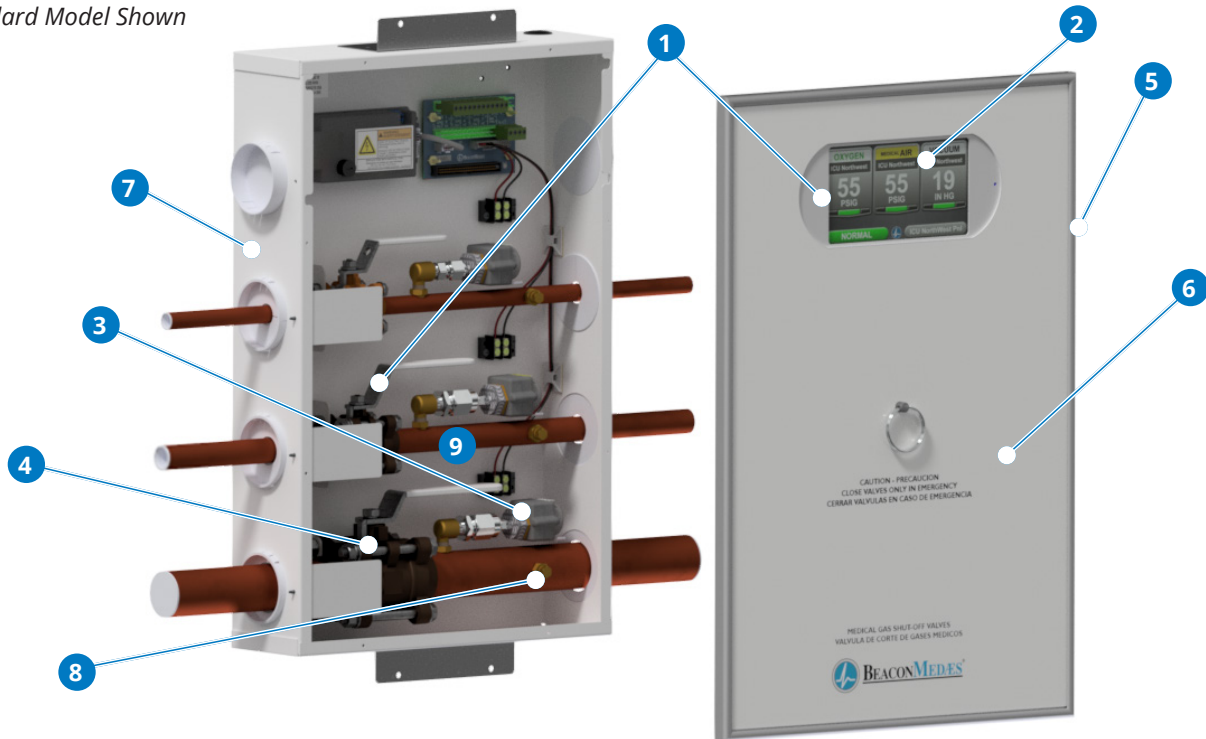
### **Transport and Storage**

During transport and storage, do not exceed an ambient temperature range of 0°F to 130°F (-18°C to 55°C), a relative humidity range of 10% to 85% with non-condensation, and an atmospheric pressure range of 950 hPa (millibar) to 1050 hPa (millibar).

\* Biomaster is an additive tested successfully to ISO 22196:2011 standards and shown to reduce *Staphylococcus aureus* by  $\geq 99.90\%$  and *Escherichia coli* by  $\geq 99.91\%$ .



Alarm Zone Valve Box with Cover Removed

**Standard Configuration**
*Standard Model Shown*


- 1** One installation, two functions - Save both installation time and wall space with the two-in-one combination of zone valve box and area alarm panel. No additional space or sensor wiring required for the alarm panel.
- 2** 7" Touch Screen - Easy to read with full color display, on-screen menu with easy set up and customizable locations.
- 3** Alarm Sensor Installation - Area alarm sensors install easily within the assembly, eliminating the need for sensor installations in the ceiling space or costly piping to the alarm panel.
- 4** Valves - Full port, double seal, ball-type with three piece bronze/brass body and chrome plated brass ball. The valves are designed for a maximum working pressure of 600 psig WOG or vacuum service to 29" Hg.
- 5** Anodized aluminum trim frame - Aesthetically pleasing, anodized aluminum trim frame features high impact resistance and toughness. Capable of adjusting to variations in wall thickness up to 1" below flush, guaranteeing a finished appearance.
- 6** Window with Biomaster additive - Clear, durable copolyester window is treated with Biomaster, an additive successfully tested to ISO 22196:2011 standards. Helps facilities combat bacterial growth in the patient environment space.
- 7** Rugged Back Box - Made from galvanealed steel with an epoxy powder coat for extra durability and moisture resistance, the back box includes 18 gauge galvanized steel mounting brackets adjustable from 3/8" to 1-1/2" thick drywall for ease of installation.
- 8** Valve ports - Valves contain three 1/8" brass NPT access ports for installing sensors and purging during the brazing process.
- 9** Flexible sizing - Choose from one to seven valves within the box, in sizes from 1/2" to 2", with gas specific sensors to meet all of your medical gas needs.

**Alarm Valve Box Assemblies**

An alarm valve box assembly includes the zone valve box assembly, the alarm screen and power supply. Individual gas specific sensors to be ordered separately. Part numbers for the sensors follow the alarm valve box assemblies.

Alarm Valve Box - Single Valve						
Item Number	Valve Size	Model Number		Item Number	Valve Size	Model Number
4107224111	1/2"	AZVB1-A		4107224114	1-1/4"	AZVB1-D
4107224112	3/4"	AZVB1-B		4107224115	1-1/2"	AZVB1-E
4107224113	1"	AZVB1-C		4107224116	2"	AZVB1-F

Alarm Valve Box - Two Valve						
Item Number	Valve Size	Model Number		Item Number	Valve Size	Model Number
4107224117	1/2"x1/2"	AZVB2-AA		4107224127*	3/4"x2"	AZVB2-BF
4107224118	1/2"x3/4"	AZVB2-AB		4107224128	1"x1"	AZVB2-CC
4107224119	1/2"x1"	AZVB2-AC		4107224129	1"x1-1/4"	AZVB2-CD
4107224120	1/2"x1-1/4"	AZVB2-AD		4107224130	1"x1-1/2"	AZVB2-CE
4107224121	1/2"x1-1/2"	AZVB2-AE		4107224131*	1"x2"	AZVB2-CF
4107224122	1/2"x2"	AZVB2-AF		4107224132	1-1/4"x1-1/4"	AZVB2-DD
4107224123	3/4"x3/4"	AZVB2-BB		4107224133*	1-1/4"x1-1/2"	AZVB2-DE
4107224124	3/4"x1"	AZVB2-BC		4107224134*	1-1/4"x2"	AZVB2-DF
4107224125	3/4"x1-1/4"	AZVB2-BD		4107224135*	1-1/2"x1-1/2"	AZVB2-EE
4107224126	3/4"x1-1/2"	AZVB2-BE		4107224136*	1-1/2"x2"	AZVB2-EF

Alarm Valve Box - Three Valve						
Item Number	Valve Size	Model Number		Item Number	Valve Size	Model Number
4107224137	1/2"x1/2"x1/2"	AZVB3-AAA		4107224153	3/4"x3/4"x1"	AZVB3-BBC
4107224138	1/2"x1/2"x3/4"	AZVB3-AAB		4107224154	3/4"x3/4"x1-1/4"	AZVB3-BBD
4107224139	1/2"x1/2"x1"	AZVB3-AAC		4107224155	3/4"x3/4"x1-1/2"	AZVB3-BBE
4107224140	1/2"x1/2"x1-1/4"	AZVB3-AAD		4107224156*	3/4"x3/4"x2"	AZVB3-BBF
4107224141	1/2"x1/2"x1-1/2"	AZVB3-AAE		4107224157	3/4"x1"x1"	AZVB3-BCC
4107224142	1/2"x1/2"x2"	AZVB3-AAF		4107224158	3/4"x1"x1-1/4"	AZVB3-BCD
4107224143	1/2"x3/4"x3/4"	AZVB3-ABB		4107224159	3/4"x1"x1-1/2"	AZVB3-BCE
4107224144	1/2"x3/4"x1"	AZVB3-ABC		4107224160*	3/4"x1"x2"	AZVB3-BCF
4107224145	1/2"x3/4"x1-1/4"	AZVB3-ABD		4107224161	3/4"x1"x1-1/2"	AZVB3-BDE
4107224146	1/2"x3/4"x1-1/2"	AZVB3-ABE		4107224162	1"x1"x1"	AZVB3-CCC
4107224147*	1/2"x3/4"x2"	AZVB3-ABF		4107224163	1"x1"x1-1/4"	AZVB3-CCD
4107224148	1/2"x1"x1"	AZVB3-ACC		4107224164	1"x1"x1-1/2"	AZVB3-CCE
4107224149	1/2"x1"x1-1/4"	AZVB3-ACD		4107224165*	1"x1"x2"	AZVB3-CCF
4107224150	1/2"x1"x1-1/2"	AZVB3-ACE		4107224166*	1"x1-1/4"x1-1/2"	AZVB3-CDE
4107224151*	1/2"x1"x2"	AZVB3-ACF		4107224167*	1"x1-1/4"x2"	AZVB3-CDF
4107224152	3/4"x3/4"x3/4"	AZVB3-BBB				

**NOTE:**

Part numbers with "\*" require a larger back box than standard. Please see Dimension Drawings on page 8, "AZVB Valve with Larger Back Box" section for dimensions on these part numbers.

**Alarm Valve Box Assemblies**

Alarm Valve Box - Four Valve						
Item Number	Valve Size	Model Number		Item Number	Valve Size	Model Number
4107224168	1/2"x1/2"x1/2"x1/2"	AZVB4-AAAA		4107224180	1/2"x3/4"x1"x1"	AZVB4-ABCC
4107224169	1/2"x1/2"x1/2"x3/4"	AZVB4-AAAB		4107224181	1/2"x3/4"x1"x1-1/4"	AZVB4-ABCD
4107224170	1/2"x1/2"x1/2"x1"	AZVB4-AAAC		4107224182	3/4"x3/4"x3/4"x3/4"	AZVB4-BBBB
4107224171	1/2"x1/2"x1/2"x1-1/4"	AZVB4-AAAD		4107224183	3/4"x3/4"x3/4"x1"	AZVB4-BBBC
4107224172	1/2"x1/2"x3/4"x3/4"	AZVB4-AABB		4107224184	3/4"x3/4"x3/4"x1-1/4"	AZVB4-BBBD
4107224173	1/2"x1/2"x3/4"x1"	AZVB4-AABC		4107224185	3/4"x3/4"x1"x1"	AZVB4-BBCC
4107224174	1/2"x1/2"x3/4"x1-1/4"	AZVB4-AABD		4107224186	3/4"x3/4"x1"x1-1/4"	AZVB4-BBCD
4107224175	1/2"x1/2"x1"x1"	AZVB4-AACC		4107224187	3/4"x1"x1"x1"	AZVB4-BCCC
4107224176	1/2"x1/2"x1"x1-1/4"	AZVB4-AACD		4107224188	3/4"x1"x1"x1-1/4"	AZVB4-BCCD
4107224177	1/2"x3/4"x3/4"x3/4"	AZVB4-ABBB		4107224189	1"x1"x1"x1"	AZVB4-CCCC
4107224178	1/2"x3/4"x3/4"x1"	AZVB4-ABBC		4107224190	1"x1"x1"x1-1/4"	AZVB4-CCCD
4107224179	1/2"x3/4"x3/4"x1-1/4"	AZVB4-ABBD				

Alarm Valve Box - Five Valve						
Item Number	Valve Size	Model Number		Item Number	Valve Size	Model Number
4107224191	1/2"x1/2"x1/2"x1/2"x1/2"	AZVB5-AAAAA		4107224203	1/2"x1/2"x3/4"x3/4"x1-1/4"	AZVB5-AABBD
4107224192	1/2"x1/2"x1/2"x1/2"x3/4"	AZVB5-AAAAB		4107224204	1/2"x1/2"x3/4"x1"x1"	AZVB5-AABCC
4107224193	1/2"x1/2"x1/2"x1/2"x1"	AZVB5-AAAAC		4107224205	1/2"x1/2"x3/4"x1"x1-1/4"	AZVB5-AABCD
4107224194	1/2"x1/2"x1/2"x1/2"x1-1/4"	AZVB5-AAAAD		4107224206	1/2"x1/2"x3/4"x1-1/4"x1-1/4"	AZVB5-AABDD
4107224195	1/2"x1/2"x1/2"x3/4"x3/4"	AZVB5-AAABB		4107224207	3/4"x3/4"x3/4"x3/4"	AZVB5-BBBBB
4107224196	1/2"x1/2"x1/2"x3/4"x1"	AZVB5-AAABC		4107224208	3/4"x3/4"x3/4"x3/4"x1"	AZVB5-BBBBC
4107224197	1/2"x1/2"x1/2"x3/4"x1-1/4"	AZVB5-AAABD		4107224209	3/4"x3/4"x3/4"x3/4"x1-1/4"	AZVB5-BBBBD
4107224198	1/2"x1/2"x1/2"x1"x1"	AZVB5-AAACC		4107224210	3/4"x3/4"x3/4"x1"x1"	AZVB5-BBBCC
4107224199	1/2"x1/2"x1/2"x1"x1-1/4"	AZVB5-AAACD		4107224211	3/4"x3/4"x3/4"x1"x1-1/4"	AZVB5-BBBCD
4107224200	1/2"x1/2"x1/2"x1-1/4"x1-1/4"	AZVB5-AAADD		4107224212	3/4"x3/4"x3/4"x1-1/4"x1-1/4"	AZVB5-BBBDD
4107224201	1/2"x1/2"x3/4"x3/4"x3/4"	AZVB5-AABBB		4107224213	3/4"x3/4"x1"x1"x1"	AZVB5-BBCCC
4107224202	1/2"x1/2"x3/4"x3/4"x1"	AZVB5-AABBC		4107224214	3/4"x3/4"x1"x1"x1-1/4"	AZVB5-BBCCD

Alarm Valve Box - Six Valve						
Item Number	Valve Size	Model Number		Item Number	Valve Size	Model Number
4107224215	1/2"x1/2"x1/2"x1/2"x1/2"x1/2"	AZVB6-AAAAAA		4107224227	1/2"x1/2"x1/2"x3/4"x3/4"x1-1/4"	AZVB6-AAABBD
4107224216	1/2"x1/2"x1/2"x1/2"x1/2"x3/4"	AZVB6-AAAAAB		4107224228	1/2"x1/2"x1/2"x3/4"x1"x1"	AZVB6-AAABCC
4107224217	1/2"x1/2"x1/2"x1/2"x1/2"x1"	AZVB6-AAAAC		4107224229	1/2"x1/2"x1/2"x3/4"x1"x1-1/4"	AZVB6-AAABCD
4107224218	1/2"x1/2"x1/2"x1/2"x1/2"x1-1/4"	AZVB6-AAAAAD		4107224230	1/2"x1/2"x1/2"x3/4"x1-1/4"x1-1/4"	AZVB6-AAABDD
4107224219	1/2"x1/2"x1/2"x3/4"x3/4"	AZVB6-AAAABB		4107224231	3/4"x3/4"x3/4"x3/4"x3/4"	AZVB6-BBBBBB
4107224220	1/2"x1/2"x1/2"x3/4"x1"	AZVB6-AAAABC		4107224232	3/4"x3/4"x3/4"x3/4"x1"	AZVB6-BBBBBC
4107224221	1/2"x1/2"x1/2"x3/4"x1-1/4"	AZVB6-AAAABD		4107224233	3/4"x3/4"x3/4"x3/4"x1-1/4"	AZVB6-BBBBBD
4107224222	1/2"x1/2"x1/2"x1"x1"	AZVB6-AAAACC		4107224234	3/4"x3/4"x3/4"x1"x1"	AZVB6-BBBBCC
4107224223	1/2"x1/2"x1/2"x1"x1-1/4"	AZVB6-AAAACD		4107224235	3/4"x3/4"x3/4"x1"x1-1/4"	AZVB6-BBBBCD
4107224224	1/2"x1/2"x1/2"x1-1/4"x1-1/4"	AZVB6-AAAADD		4107224236	3/4"x3/4"x3/4"x3/4"x1-1/4"x1-1/4"	AZVB6-BBBBDD
4107224225	1/2"x1/2"x1/2"x3/4"x3/4"x3/4"	AZVB6-AAABBB		4107224237	3/4"x3/4"x3/4"x1"x1"	AZVB6-BBBCCC
4107224226	1/2"x1/2"x1/2"x3/4"x3/4"x1"	AZVB6-AAABBC		4107224238	3/4"x3/4"x3/4"x1"x1-1/4"	AZVB6-BBBCCD

**Alarm Valve Box Assemblies**

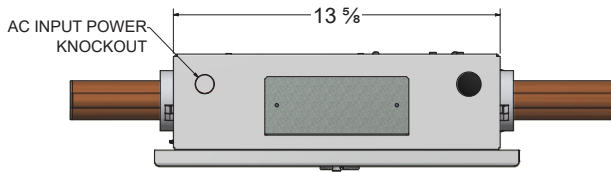
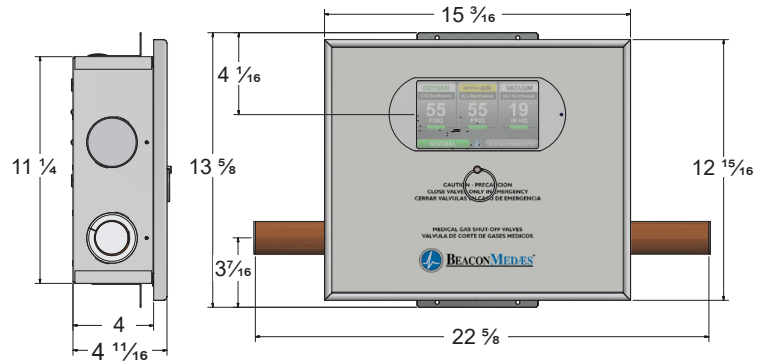
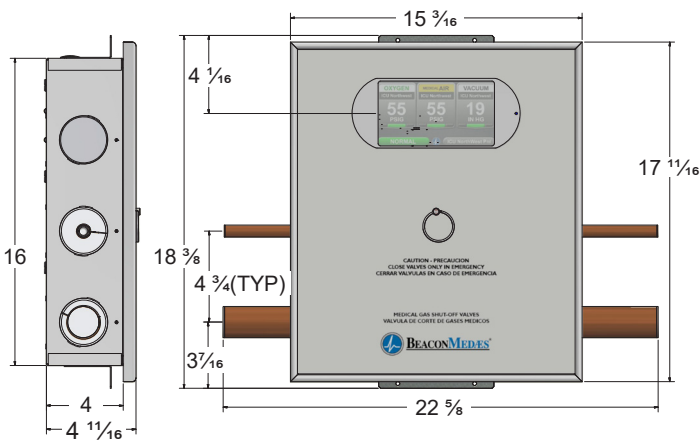
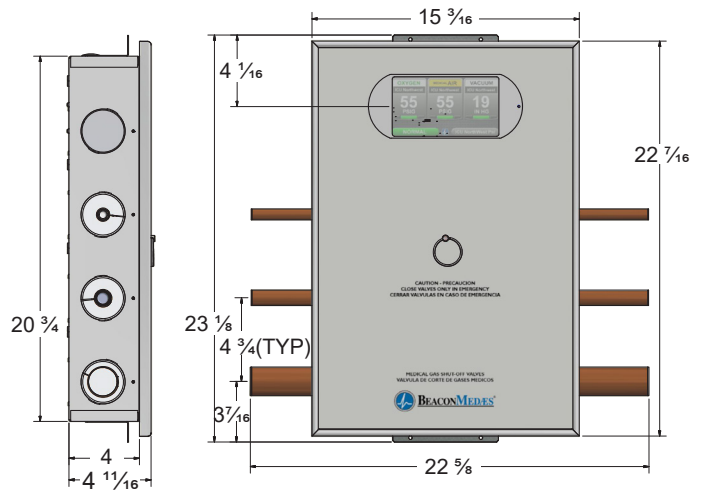
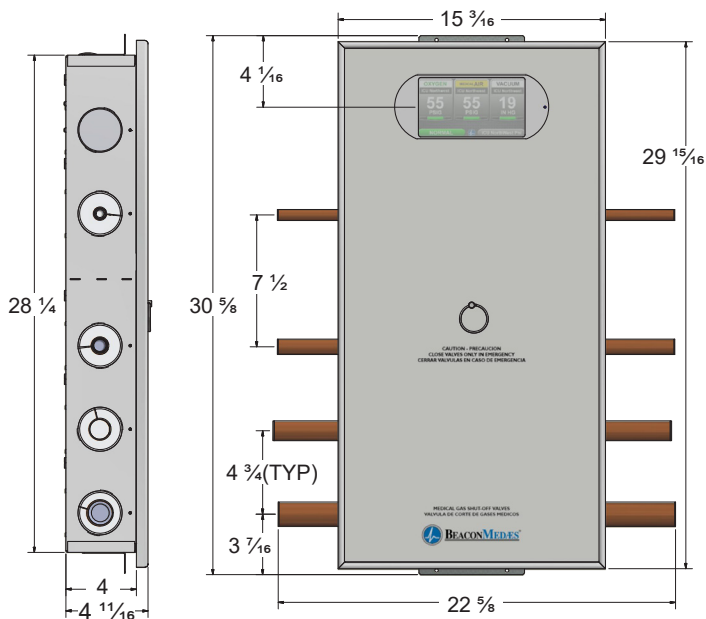
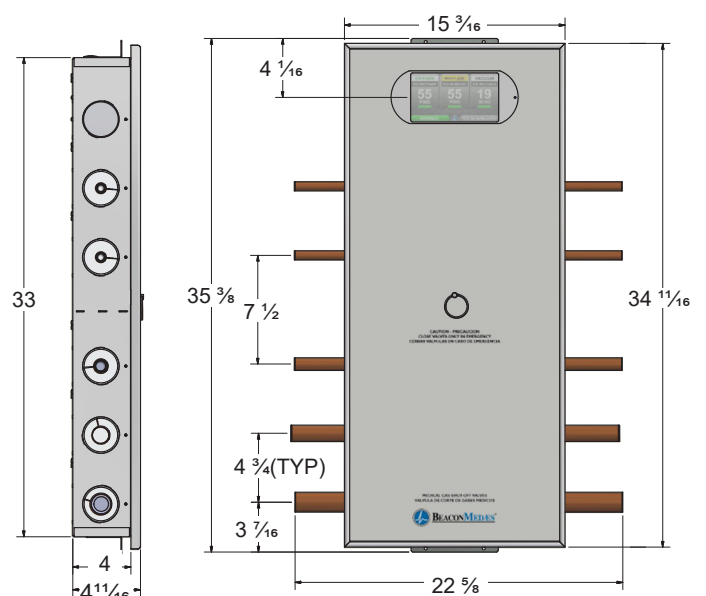
Alarm Valve Box - Seven Valve						
Item Number	Valve Size	Model Number		Item Number	Valve Size	Model Number
4107224239	1/2"x1/2"x1/2"x1/2"x1/2"x1/2"x1/2"x1/2"	AZVB7-AAAAAAA		4107224253	1/2"x1/2"x1/2"x1/2"x3/4"x1"x1-1/4"	AZVB7-AAAABCD
4107224240	1/2"x1/2"x1/2"x1/2"x1/2"x1/2"x1/2"x3/4"	AZVB7-AAAAAAB		4107224254	1/2"x1/2"x1/2"x1/2"x3/4"x1-1/4"x1-1/4"	AZVB7-AAAABDD
4107224241	1/2"x1/2"x1/2"x1/2"x1/2"x1/2"x1/2"x1"	AZVB7-AAAAAAC		4107224255	1/2"x1/2"x1/2"x3/4"x3/4"x1"x1"	AZVB7-AAABBCC
4107224242	1/2"x1/2"x1/2"x1/2"x1/2"x1/2"x1/2"x1-1/4"	AZVB7-AAAAAAD		4107224256	1/2"x1/2"x1/2"x3/4"x3/4"x1"x1-1/4"	AZVB7-AAABBBCD
4107224243	1/2"x1/2"x1/2"x1/2"x1/2"x1/2"x3/4"x3/4"	AZVB7-AAAAABB		4107224257	1/2"x1/2"x1/2"x3/4"x3/4"x1-1/4"x1-1/4"	AZVB7-AAABBDD
4107224244	1/2"x1/2"x1/2"x1/2"x1/2"x1/2"x3/4"x1"	AZVB7-AAAAABC		4107224258	3/4"x3/4"x3/4"x3/4"x3/4"x3/4"x3/4"x3/4"	AZVB7-BBBBBBBB
4107224245	1/2"x1/2"x1/2"x1/2"x1/2"x1/2"x3/4"x1-1/4"	AZVB7-AAAAABD		4107224259	3/4"x3/4"x3/4"x3/4"x3/4"x3/4"x1"	AZVB7-BBBBBBBC
4107224246	1/2"x1/2"x1/2"x1/2"x1/2"x1/2"x1"x1"	AZVB7-AAAAACC		4107224260	3/4"x3/4"x3/4"x3/4"x3/4"x3/4"x1-1/4"	AZVB7-BBBBBBDD
4107224247	1/2"x1/2"x1/2"x1/2"x1/2"x1/2"x1"x1-1/4"	AZVB7-AAAAACD		4107224261	3/4"x3/4"x3/4"x3/4"x3/4"x1"x1"	AZVB7-BBBBBBCC
4107224248	1/2"x1/2"x1/2"x1/2"x1/2"x1/2"x1-1/4"x1-1/4"	AZVB7-AAAAADD		4107224262	3/4"x3/4"x3/4"x3/4"x3/4"x1"x1-1/4"	AZVB7-BBBBBBCD
4107224249	1/2"x1/2"x1/2"x1/2"x3/4"x3/4"x3/4"	AZVB7-AAAABBB		4107224263	3/4"x3/4"x3/4"x3/4"x3/4"x1-1/4"x1-1/4"	AZVB7-BBBBBBDD
4107224250	1/2"x1/2"x1/2"x1/2"x3/4"x3/4"x3/4"x1"	AZVB7-AAAABBC		4107224264	3/4"x3/4"x3/4"x3/4"x1"x1"x1"	AZVB7-BBBBCCC
4107224251	1/2"x1/2"x1/2"x1/2"x3/4"x3/4"x1-1/4"	AZVB7-AAAABBD		4107224265	3/4"x3/4"x3/4"x3/4"x1"x1-1/4"	AZVB7-BBBBCCD
4107224252	1/2"x1/2"x1/2"x1/2"x3/4"x1"x1"	AZVB7-AAAABCC				

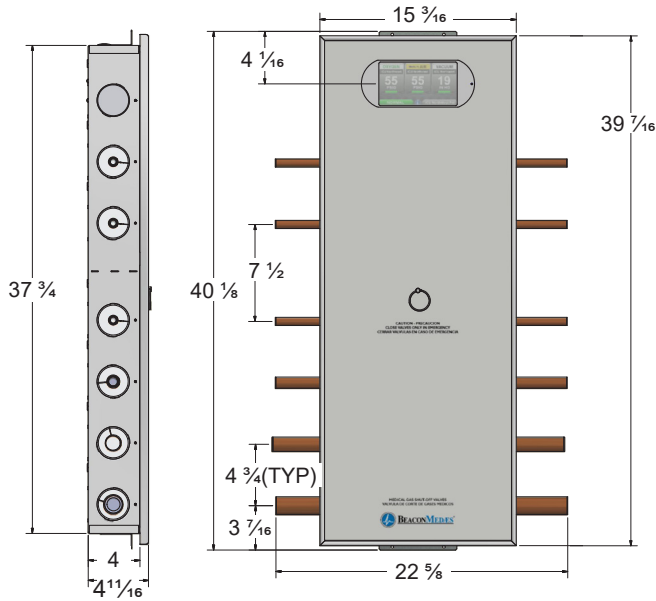
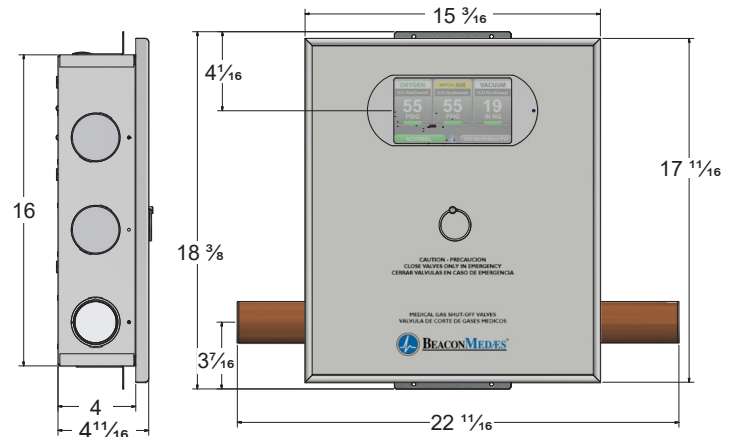
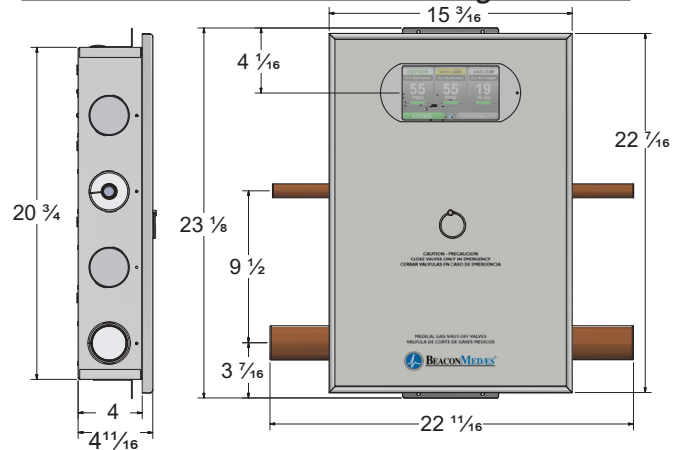
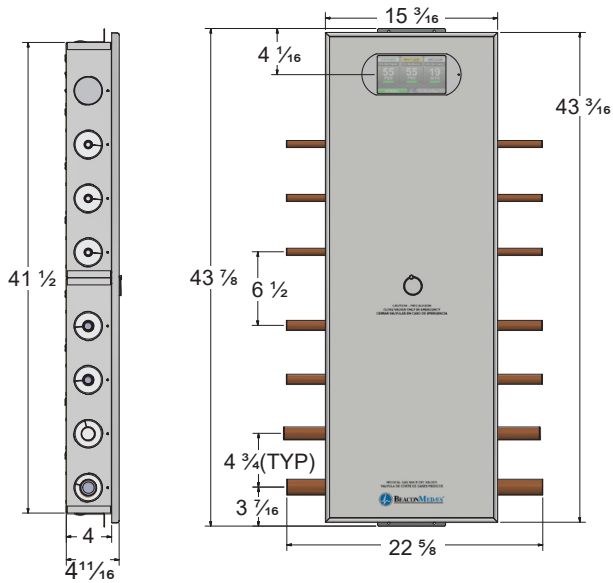
**Gas Specific Digital Gas Sensors**

Gas sensors to be ordered individually in addition to Alarm Zone Valve Box Assembly. Gas sensor kit includes the gas specific sensor, gas specific DISS valve and adapter, and fitting for installation into the Alarm Zone Valve Box Assembly. Order one gas sensor per valve in the Alarm Zone Valve Box Assembly.

Gas Sensors				
Item Number	Gas Sensor Kit		Item Number	Gas Sensor Kit
4107402093	AZVB Gas Sensor Kit, Oxygen		4107402104	AZVB Gas Sensor Kit, Oxygen/Helium
4107402094	AZVB Gas Sensor Kit, Nitrous Oxide		4107402105	AZVB Gas Sensor Kit, Helium
4107402095	AZVB Gas Sensor Kit, Medical Air		4107402106	AZVB Gas Sensor Kit, Lab Air
4107402096	AZVB Gas Sensor Kit, Vacuum		4107402107	AZVB Gas Sensor Kit, Lab Vacuum
4107402097	AZVB Gas Sensor Kit, Nitrogen		4107402108	AZVB Gas Sensor Kit, Oxygen 100 psi
4107402098	AZVB Gas Sensor Kit, Instrument Air		4107402109	AZVB Gas Sensor Kit, Medical Air 100 psi
4107402099	AZVB Gas Sensor Kit, WAGD		4107402110	AZVB Gas Sensor Kit, Carbon Dioxide 100 psi
4107402100	AZVB Gas Sensor Kit, Carbon Dioxide		4107402111	AZVB Gas Sensor Kit, Argon
4107402101	AZVB Gas Sensor Kit, Carbon Dioxide/Oxygen		4107402112	AZVB Gas Sensor Kit, AGSS
4107402102	AZVB Gas Sensor Kit, Oxygen/Carbon Dioxide		4107402113	AZVB Gas Sensor Kit, Nitrous Oxide/Oxygen
4107402103	AZVB Gas Sensor Kit, Helium/Oxygen		4107402114	AZVB Gas Sensor Kit, Mixed Gas



**Dimensions - AZVB Top View (All Sizes)**

**Dimensions - AZVB Single Valve**

**Dimensions - AZVB Two Valve**

**Dimensions - AZVB Three Valve**

**Dimensions - AZVB Four Valve**

**Dimensions - AZVB Five Valve**


**Dimensions - AZVB Six Valve**

**Dimensions - AZVB Single Valve with Larger Back Box**

**Dimensions - AZVB Two Valve with Larger Back Box**

**Dimensions - AZVB Seven Valve**

**Dimensions - AZVB Three Valve with Larger Back Box**
