

## Zone Valve Box Assembly

### SPECIFICATION

#### Zone Valve Box Assembly

Valves shall be full port, double seal, ball-type with three piece bronze/brass body and a chrome plated brass ball. Valves shall be designed for a maximum working pressure of 600 psig WOG or vacuum service to 29" Hg. Valve body shall have reinforced PTFE ball seat and reinforced PTFE stem seals, and stem shall be blowout proof. All valve materials shall be compatible with USP oxygen, nitrous oxide, medical air, carbon dioxide, helium, nitrogen, argon and mixtures thereof.

A 1/4 turn of the handle shall be required to operate the valve from OPEN to CLOSED position. The valve shall be securely attached to the box and provided with type K copper tube extensions for making connection to system piping outside the box. All valves shall be serviceable in the line, supplied clean and prepared for oxygen service.

All valve assemblies have a total of three 1/8" NPT ports with pipe plugs. One port is used as a provision for connection of a gauge and shall be located on the terminal outlet side of the valve to register pipeline pressure or vacuum. The second port is used as a provision for a DISS connection of a gas sensor. The third port is used for purging during the brazing process and is located upstream of the valve.

The zone valve and box assembly shall meet all requirements of NFPA 99, CAN/CSA Z7396.1-09 and AS2896-2011. The valves conform to MSS SP-110. Type K copper tube extensions conform to ASTM B88, UNS No. C12200, and H58 temper. The gauges shall conform to ANSI B40.1.

#### Zone Box Design

The zone valve box shall be constructed of 18-gauge steel with white epoxy finish. The 1/2" through 2" valves require a rough wall opening of 13 5/8" wide x 4" deep. The 2-1/2" and 3" valves require a rough wall opening of 15-7/8" wide x 10" high x 6-11/16" deep. For ease of installation, two 18-gauge galvanized steel mounting brackets, adjustable from 3/8" thick to 1.5" drywall, are provided.

The zone valve box assembly shall have a sliding, opaque door with pull ring and clear gauge window. The door shall be capable of sliding to the right to facilitate installation requirements. In an emergency, the door shall SNAP OUT by pulling the pull ring forward without exposing sharp edges.

The zone valve box shall be provided with an advanced polymer (ABS) trim frame designed for high impact resistance and capable of adjusting to variations in wall thickness up to 1" below flush. The design allows for the configuration of up to 7 valves within the rough-in box assembly. Gas flow should be from left to right. Nylon 6/6 Insulated grommets allow for ease of valve replacement and reorientation within the rough-in box. The Zone Valve Box door is treated with Biomaster (see table on pg.4 for details). The zone valve box assembly shall be supplied with color-coded gas identification labels. The gas identification labels are also available online for printing. The assembly door shall have a label that reads:

**-CAUTION-  
CLOSE VALVES ONLY IN EMERGENCY**

#### Model Number Chart



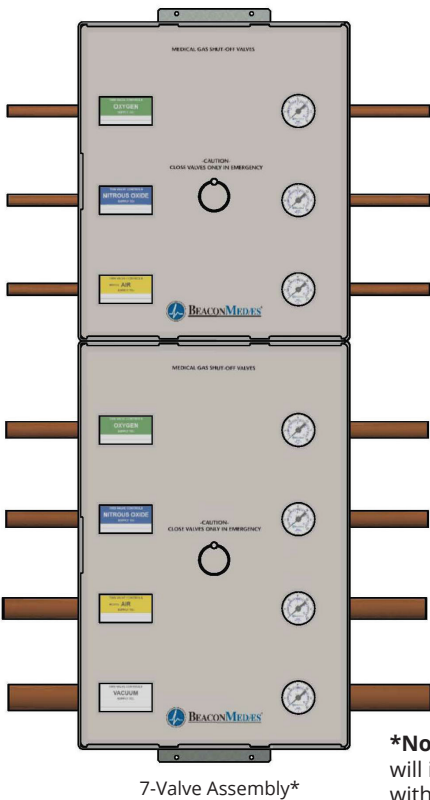
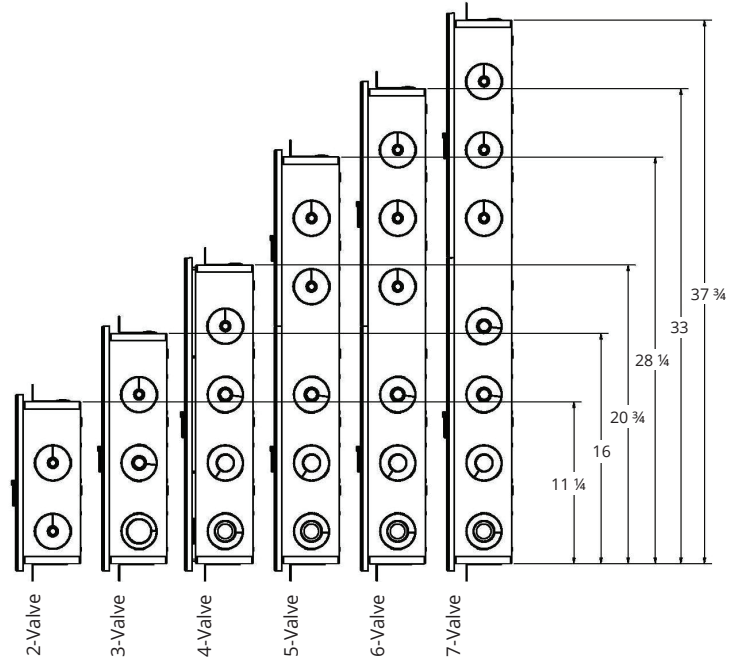
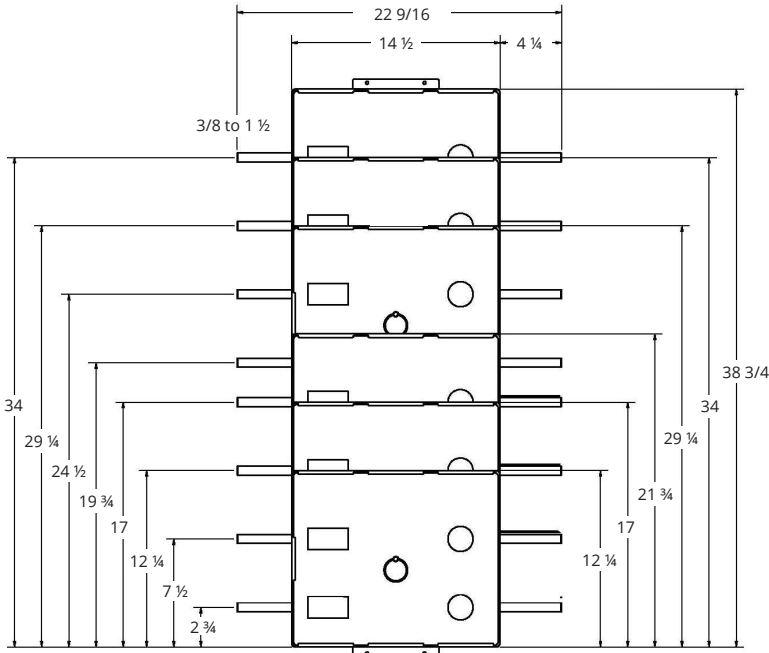
BeaconMedaes Zone Valve Box Parent Model Number Chart			
Variable	Definition	Allowable Value	Description
<b>A</b>	<b>Size</b>	1	Single
		2	Double
		3	Triple
		4	Quad
		5	Five
		6	Six
		7	Seven
<b>B</b>	<b>Valve Size</b>	A	1/2"
		B	3/4"
		C	1"
		D	1-1/4"
		E	1-1/2"
		F	2"
		G*	2-1/2"
		H*	3"
	Empty	No Valves	
<b>C</b>	<b>Language</b>	ENG	English
		SPN	Spanish
		FRN	French

\*Only available in single box size

**Example:** Triple zone valve box with 1/2", 3/4" and 1 1/4" valves and English decals. **Example Model Number:** ZVB3-ABD-ENG

**Example:** Seven zone valve box with 1/2", 1/2", 3/4", 3/4", 1", 1" and 1 1/4" valves and English decals. **Example Model Number:** ZVB7-AABBCCD-ENG

**Example:** Triple zone valve blank box. **Example Model Number:** ZVB3-EMPTY

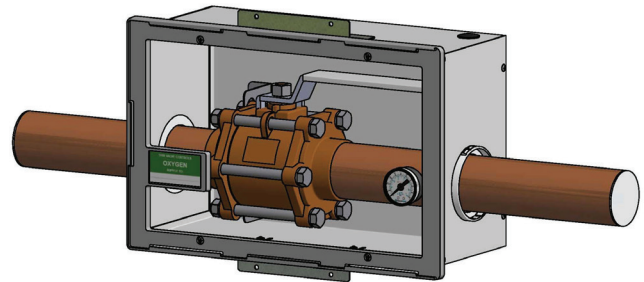
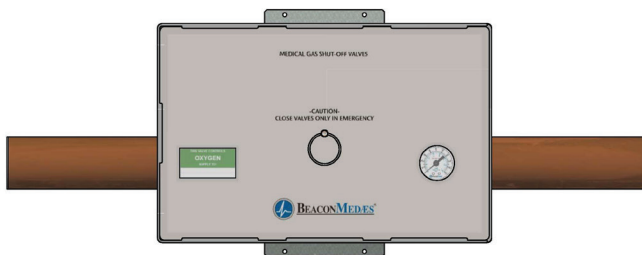
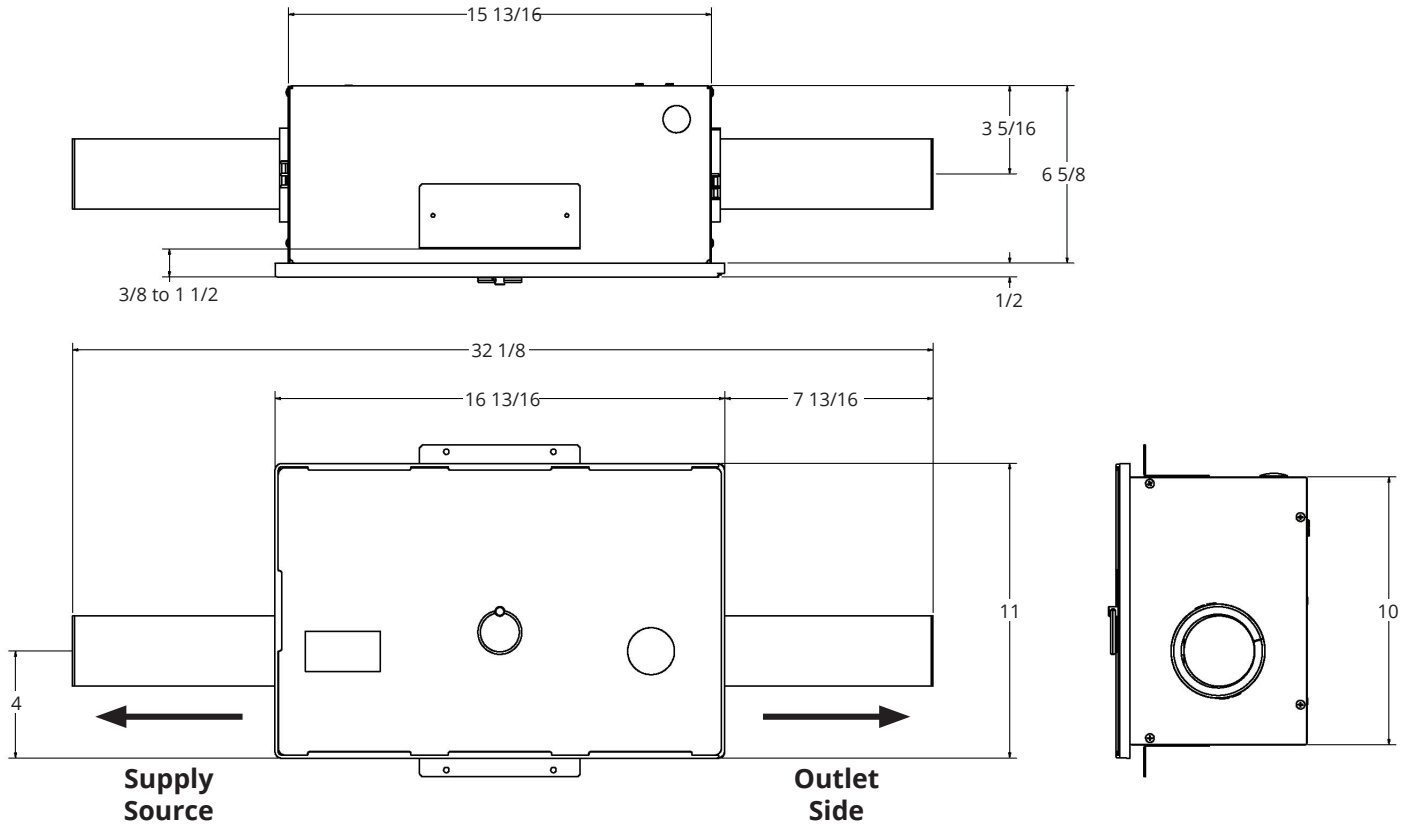
**Zone Valve Box Assembly - 1/2" through 2" Assemblies**  
**Dimensions**


Valve Assembly	Rough-In Box Dimension (X)
2-Valve Box	11-1/4"
3-Valve Box	16"
4-Valve Box	20-3/4"
5-Valve Box	28-1/4"
6-Valve Box	33"
7-Valve Box	37-3/4"

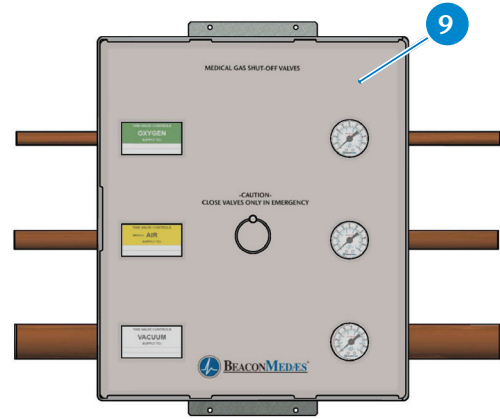
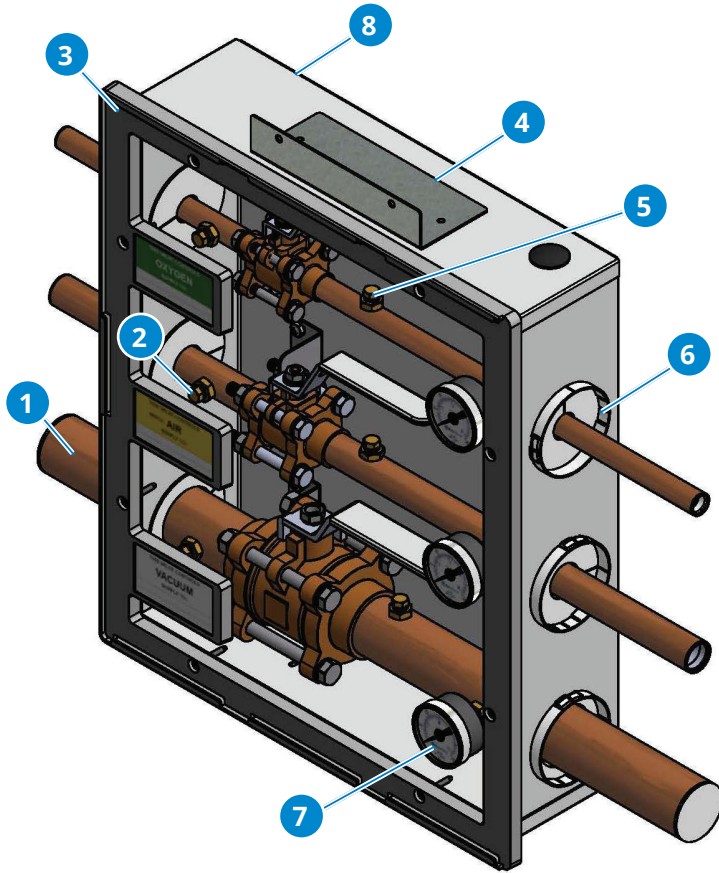
**Table 1: Rough-In Box Dimensions**

Valve Flows	
Valve Size	Cv/Kv
1/2"	29/25
3/4"	46/40
1"	64/56
1-1/4"	122/105
1-1/2"	169/146
2"	357/308

**\*Note:** 5 through 7-valve Assemblies will incorporate a single rough-in box with 2 front panels.

**Zone Valve Box Assembly - 2-1/2" through 3" Assemblies**
**Dimensions**

**Additional Labels: One Sheet per Label Type**

<input type="checkbox"/>	4107655174	Standard Gas Label Sheet, English, NFPA/ISO 1 Ea: O2, N2O, CO2, Medical Air, WAGD, Instrument Air, Vacuum, AGSS, Nitrogen	<input type="checkbox"/>	4107655285	Combination Gas Label Sheet, English, NFPA/ISO 1 Ea: Instrument Air, CO2O2, O2 100psi, O2CO2, Medical Air, HeO2, CO2 100psi, O2He, Argon, Helium, O2
<input type="checkbox"/>	4107655175	Standard Gas Label Sheet, Spanish, NFPA/ISO 1 Ea: O2, N2O, CO2, Medical Air, Evacuation, Instrument Air, Vacuum, Nitrogen	<input type="checkbox"/>	4107655286	Combination Gas Label Sheet, Spanish, NFPA/ISO 1 Ea: CO2O2, O2 100psi, O2CO2, Medical Air, HeO2, CO2 100psi, O2He, Argon, AGSS, Instrument Air, Helium
<input type="checkbox"/>	4107655176	Standard Gas Label Sheet, French, ISO 1 Ea: O2, N2O, Medical Air, CO2, Medical Vacuum, Instrument Air, Nitrogen, AGSS	<input type="checkbox"/>	4107655287	Combination Gas Label Sheet, French, ISO/NFPA 1 Ea: O2He, CO2O2, Helium, O2CO2, Medical Air, HeO2, O2 100psi, CO2 100psi, Argon
<input type="checkbox"/>	4107655284	Standard Gas Label Sheet, English, AUS1 Ea: Medical Breathing Air, O2/CO2, N2O, Spare Gas, N2O/O2 50/50, Medical Suction, Surgical Tool Air, Medical Oxygen, Venturi Suction Exhaust	<b>To print additional labels, visit <a href="http://www.beaconzvb.com">www.beaconzvb.com</a></b>		



**Note:** Empty zone valve boxes will include a clear, polycarbonate window.

## Biomaster Testing Results

Printed samples coated with Biomaster were successfully tested to ISO 22196:2011 standards and shown to reduce:

Bacteria	Reduction
Staphylococcus aureus	Reduction by $\geq 99.90\%$ bacterial growth
Escherichia coli	Reduction by $\geq 99.91\%$ bacterial growth

- 1** Valves are full port, double seal, ball-type with three piece bronze/brass body and a chrome plated brass ball. The valves are designed for a maximum working pressure of 600 psig WOG or vacuum service to 29" Hg.
- 2** 1/8" brass NPT port for purging during brazing process upstream of valve
- 3** New, aesthetically pleasing, advanced polymer (ABS) trim frame designed for high impact resistance and toughness is capable of adjusting to variations in wall thickness up to 1" below flush.
- 4** 18 Gauge galvanized steel mounting bracket adjustable from 3/8" thick to 1.5" drywall for ease of installation
- 5** 1/8" brass NPT port for installation of sensor (sensor kit to be sold separately)
- 6** Nylon 6/6 Insulated grommets allow for ease of valve replacement and reorientation within the rough-in box
- 7** Easily identifiable bourdon tube pressure/vacuum gauges made from solid steel with polycarbonate faceplate for durability. All gauges incorporate a 1/8" brass NPT connector. (Order gauges separately for zone valve application).
- 8** Assembly allows for configuration of up to 7 valves within the rough-in box.
- 9** The clear, durable polycarbonate window is treated with Biomaster, an additive that has been successfully tested to ISO 22196:2011 standards and shown to reduce *Staphylococcus aureus* by  $\geq 99.90\%$  *Escherichia coli* by  $\geq 99.91\%$ . Disclaimer: Use of this product does not protect user from disease-bearing and food-borne pathogens.

**Valve Box Assemblies**

Item Number	Valve Size	Model Number	Qty
<b>Empty Single Zone Valve Box</b>			
4107219413	N/A	ZVB1-EMPTY	
<b>Single Zone Valve Box</b>			
4107219414	1/2"	ZVB1-A-ENG	
4107219415	3/4"	ZVB1-B-ENG	
4107219416	1"	ZVB1-C-ENG	
4107219417	1-1/4"	ZVB1-D-ENG	
4107219418	1-1/2"	ZVB1-E-ENG	
4107219419	2"	ZVB1-F-ENG	
4107219420	2-1/2"	ZVB1-G-ENG	
4107219421	3"	ZVB1-H-ENG	
<b>Empty Double Zone Valve Box</b>			
4107219422	N/A	ZVB2-EMPTY	
<b>Double Zone Valve Box</b>			
4107219423	1/2" x 1/2"	ZVB2-AA-ENG	
4107219424	1/2" x 3/4"	ZVB2-AB-ENG	
4107219425	1/2" x 1"	ZVB2-AC-ENG	
4107219426	1/2" x 1-1/4"	ZVB2-AD-ENG	
4107219427	1/2" x 1-1/2"	ZVB2-AE-ENG	
4107219428	1/2" x 2"	ZVB2-AF-ENG	
4107219429	3/4" x 3/4"	ZVB2-BB-ENG	
4107219430	3/4" x 1"	ZVB2-BC-ENG	
4107219431	3/4" x 1-1/4"	ZVB2-BD-ENG	
4107219432	3/4" x 1-1/2"	ZVB2-BE-ENG	
4107219433	3/4" x 2"	ZVB2-BF-ENG*	
4107219434	1" x 1"	ZVB2-CC-ENG	
4107219435	1" x 1-1/4"	ZVB2-CD-ENG	
4107219436	1" x 1-1/2"	ZVB2-CE-ENG	
4107219437	1" x 2"	ZVB2-CF-ENG*	
4107219438	1-1/4" x 1-1/4"	ZVB2-DD-ENG	
4107219439	1-1/4" x 1-1/2"	ZVB2-DE-ENG*	
4107219440	1-1/4" x 2"	ZVB2-DF-ENG*	
4107219441	1-1/2" x 1-1/2"	ZVB2-EE-ENG*	
4107219442	1-1/2" x 2"	ZVB2-EF-ENG*	
<b>Empty Triple Zone Valve Box</b>			
4107219443	N/A	ZVB3-EMPTY	
<b>Triple Zone Valve Box</b>			
4107219444	1/2" x 1/2" x 1/2"	ZVB3-AAA-ENG	
4107219445	1/2" x 1/2" x 3/4"	ZVB3-AAB-ENG	
4107219446	1/2" x 1/2" x 1"	ZVB3-AAC-ENG	
4107219447	1/2" x 1/2" x 1-1/4"	ZVB3-AAD-ENG	
4107219448	1/2" x 1/2" x 1-1/2"	ZVB3-AAE-ENG	
4107219449	1/2" x 1/2" x 2"	ZVB3-AAF-ENG	
4107219450	1/2" x 3/4" x 3/4"	ZVB3-ABB-ENG	
4107219451	1/2" x 3/4" x 1"	ZVB3-ABC-ENG	
4107219452	1/2" x 3/4" x 1-1/4"	ZVB3-ABD-ENG	
4107219453	1/2" x 3/4" x 1-1/2"	ZVB3-ABE-ENG	
4107219454	1/2" x 3/4" x 2"	ZVB3-ABF-ENG*	
4107219455	1/2" x 1" x 1"	ZVB3-ACC-ENG	
4107219456	1/2" x 1" x 1-1/4"	ZVB3-ACD-ENG	
4107219457	1/2" x 1" x 1-1/2"	ZVB3-ACE-ENG	

Item Number	Valve Size	Model Number	Qty
4107219458	1/2" x 1" x 2"	ZVB3-ACF-ENG*	
4107219459	3/4" x 3/4" x 3/4"	ZVB3-BBB-ENG	
4107219460	3/4" x 3/4" x 1"	ZVB3-BBC-ENG	
4107219461	3/4" x 3/4" x 1-1/4"	ZVB3-BBD-ENG	
4107219462	3/4" x 3/4" x 1-1/2"	ZVB3-BBE-ENG	
4107219463	3/4" x 3/4" x 2"	ZVB3-BBF-ENG*	
4107219464	3/4" x 1" x 1"	ZVB3-BCC-ENG	
4107219465	3/4" x 1" x 1-1/4"	ZVB3-BCD-ENG	
4107219466	3/4" x 1" x 1-1/2"	ZVB3-BCE-ENG	
4107219467	3/4" x 1" x 2"	ZVB3-BCF-ENG*	
4107219468	3/4" x 1-1/4" x 1-1/2"	ZVB3-BDE-ENG*	
4107219469	1" x 1" x 1"	ZVB3-CCC-ENG	
4107219470	1" x 1" x 1-1/4"	ZVB3-CCD-ENG	
4107219471	1" x 1" x 1-1/2"	ZVB3-CCE-ENG	
4107219472	1" x 1" x 2"	ZVB3-CCF-ENG*	
4107219473	1" x 1-1/4" x 1-1/2"	ZVB3-CDE-ENG*	
4107219474	1" x 1-1/4" x 2"	ZVB3-CDF-ENG*	
<b>Empty Quadruple Zone Valve Box</b>			
4107219475	N/A	ZVB4-EMPTY	
<b>Quadruple Zone Valve Box</b>			
4107219476	1/2" x 1/2" x 1/2" x 1/2"	ZVB4-AAAA-ENG	
4107219477	1/2" x 1/2" x 1/2" x 3/4"	ZVB4-AAAB-ENG	
4107219478	1/2" x 1/2" x 1/2" x 1"	ZVB4-AAAC-ENG	
4107219479	1/2" x 1/2" x 1/2" x 1-1/4"	ZVB4-AAAD-ENG	
4107219480	1/2" x 1/2" x 3/4" x 3/4"	ZVB4-AABB-ENG	
4107219481	1/2" x 1/2" x 3/4" x 1"	ZVB4-AABC-ENG	
4107219482	1/2" x 1/2" x 3/4" x 1-1/4"	ZVB4-AABD-ENG	
4107219483	1/2" x 1/2" x 1" x 1"	ZVB4-AACC-ENG	
4107219484	1/2" x 1/2" x 1" x 1-1/4"	ZVB4-AACB-ENG	
4107219485	1/2" x 3/4" x 3/4" x 3/4"	ZVB4-ABBB-ENG	
4107219486	1/2" x 3/4" x 3/4" x 1"	ZVB4-ABBC-ENG	
4107219487	1/2" x 3/4" x 3/4" x 1-1/4"	ZVB4-ABBD-ENG	
4107219488	1/2" x 3/4" x 1" x 1"	ZVB4-ABCC-ENG	
4107219489	1/2" x 3/4" x 1" x 1-1/4"	ZVB4-ABCD-ENG	
4107219490	3/4" x 3/4" x 3/4" x 3/4"	ZVB4-BBBB-ENG	
4107219491	3/4" x 3/4" x 3/4" x 1"	ZVB4-BBBC-ENG	
4107219492	3/4" x 3/4" x 3/4" x 1-1/4"	ZVB4-BBBD-ENG	
4107219493	3/4" x 3/4" x 1" x 1"	ZVB4-BBCC-ENG	
4107219494	3/4" x 3/4" x 1" x 1-1/4"	ZVB4-BBCD-ENG	
4107219495	3/4" x 1" x 1" x 1"	ZVB4-BCCC-ENG	
4107219496	3/4" x 1" x 1" x 1-1/4"	ZVB4-BCCD-ENG	
4107219497	1" x 1" x 1" x 1"	ZVB4-CCCC-ENG	
4107219498	1" x 1" x 1" x 1-1/4"	ZVB4-CCCD-ENG	
<b>Empty Five-Valve Zone Valve Box</b>			
4107219499	N/A	ZZVB5-EMPTY	
<b>Five-Valve Zone Valve Box</b>			
4107219500	1/2" x 1/2" x 1/2" x 1/2" x 1/2"	ZVB5-AAAAA-ENG	
4107219501	1/2" x 1/2" x 1/2" x 1/2" x 3/4"	ZVB5-AAAAB-ENG	
4107219502	1/2" x 1/2" x 1/2" x 1/2" x 1"	ZVB5-AAAAC-ENG	
4107219503	1/2" x 1/2" x 1/2" x 1/2" x 1-1/4"	ZVB5-AAAAD-ENG	
4107219504	1/2" x 1/2" x 1/2" x 3/4" x 3/4"	ZVB5-AAABB-ENG	

\*Requires next size up enclosure, adding an additional 4-3/4" to overall height. Consult factory for more details.



Item Number	Valve Size	Model Number	Qty
4107219505	1/2" x 1/2" x 1/2" x 3/4" x 1"	ZVB5-AAABC-ENG	
4107219506	1/2" x 1/2" x 1/2" x 3/4" x 1-1/4"	ZVB5-AAABD-ENG	
4107219507	1/2" x 1/2" x 1/2" x 1" x 1"	ZVB5-AAACC-ENG	
4107219508	1/2" x 1/2" x 1/2" x 1" x 1-1/4"	ZVB5-AAACD-ENG	
4107219509	1/2" x 1/2" x 1/2" x 1-1/4" x 1-1/4"	ZVB5-AAADD-ENG	
4107219510	1/2" x 1/2" x 3/4" x 3/4" x 3/4"	ZVB5-AABBB-ENG	
4107219511	1/2" x 1/2" x 3/4" x 3/4" x 1"	ZVB5-AABBC-ENG	
4107219512	1/2" x 1/2" x 3/4" x 3/4" x 1-1/4"	ZVB5-AABBD-ENG	
4107219513	1/2" x 1/2" x 3/4" x 1" x 1"	ZVB5-AABCC-ENG	
4107219514	1/2" x 1/2" x 3/4" x 1" x 1-1/4"	ZVB5-AABCD-ENG	
4107219515	1/2" x 1/2" x 3/4" x 1-1/4" x 1-1/4"	ZVB5-AABDD-ENG	
4107219516	3/4" x 3/4" x 3/4" x 3/4" x 3/4"	ZVB5-BBBBB-ENG	
4107219517	3/4" x 3/4" x 3/4" x 3/4" x 1"	ZVB5-BBBBC-ENG	
4107219518	3/4" x 3/4" x 3/4" x 3/4" x 1-1/4"	ZVB5-BBBBD-ENG	
4107219519	3/4" x 3/4" x 3/4" x 1" x 1"	ZVB5-BBBCC-ENG	
4107219520	3/4" x 3/4" x 3/4" x 1" x 1-1/4"	ZVB5-BBBCD-ENG	
4107219521	3/4" x 3/4" x 3/4" x 1-1/4" x 1-1/4"	ZVB5-BBBDD-ENG	
4107219522	3/4" x 3/4" x 1" x 1" x 1"	ZVB5-BBCCC-ENG	
4107219523	3/4" x 3/4" x 1" x 1" x 1-1/4"	ZVB5-BBCCD-ENG	
<b>Empty Six-Valve Zone Valve Box</b>			
4107219524	N/A	ZVB6-EMPTY	
<b>Six-Valve Zone Valve Box</b>			
4107219525	1/2" x 1/2" x 1/2" x 1/2" x 1/2" x 1/2"	ZVB6-AAAAA-ENG	
4107219526	1/2" x 1/2" x 1/2" x 1/2" x 1/2" x 3/4"	ZVB6-AAAAAB-ENG	
4107219527	1/2" x 1/2" x 1/2" x 1/2" x 1/2" x 1"	ZVB6-AAAAAC-ENG	
4107219528	1/2" x 1/2" x 1/2" x 1/2" x 1/2" x 1-1/4"	ZVB6-AAAAAD-ENG	
4107219529	1/2" x 1/2" x 1/2" x 1/2" x 3/4" x 3/4"	ZVB6-AAAABB-ENG	
4107219530	1/2" x 1/2" x 1/2" x 1/2" x 3/4" x 1"	ZVB6-AAAABC-ENG	
4107219531	1/2" x 1/2" x 1/2" x 1/2" x 3/4" x 1-1/4"	ZVB6-AAAABD-ENG	
4107219532	1/2" x 1/2" x 1/2" x 1/2" x 1" x 1"	ZVB6-AAAACC-ENG	
4107219533	1/2" x 1/2" x 1/2" x 1/2" x 1" x 1-1/4"	ZVB6-AAAACD-ENG	
4107219534	1/2" x 1/2" x 1/2" x 1/2" x 1-1/4" x 1-1/4"	ZVB6-AAAADD-ENG	
4107219535	1/2" x 1/2" x 1/2" x 3/4" x 3/4" x 3/4"	ZVB6-AAABBB-ENG	
4107219536	1/2" x 1/2" x 1/2" x 3/4" x 3/4" x 1"	ZVB6-AAABBC-ENG	
4107219537	1/2" x 1/2" x 1/2" x 3/4" x 3/4" x 1-1/4"	ZVB6-AAABBD-ENG	
4107219538	1/2" x 1/2" x 1/2" x 3/4" x 1" x 1"	ZVB6-AAABCC-ENG	
4107219539	1/2" x 1/2" x 1/2" x 3/4" x 1" x 1-1/4"	ZVB6-AAABCD-ENG	
4107219540	1/2" x 1/2" x 1/2" x 3/4" x 1-1/4" x 1-1/4"	ZVB6-AAABDD-ENG	
4107219541	3/4" x 3/4" x 3/4" x 3/4" x 3/4" x 3/4"	ZVB6-BBBBBB-ENG	
4107219542	3/4" x 3/4" x 3/4" x 3/4" x 3/4" x 1"	ZVB6-BBBBBC-ENG	
4107219543	3/4" x 3/4" x 3/4" x 3/4" x 3/4" x 1-1/4"	ZVB6-BBBBBD-ENG	
4107219544	3/4" x 3/4" x 3/4" x 3/4" x 1" x 1"	ZVB6-BBBBCC-ENG	
4107219545	3/4" x 3/4" x 3/4" x 3/4" x 1" x 1-1/4"	ZVB6-BBBBCD-ENG	
4107219546	3/4" x 3/4" x 3/4" x 3/4" x 1-1/4" x 1-1/4"	ZVB6-BBBBDD-ENG	
4107219547	3/4" x 3/4" x 3/4" x 1" x 1" x 1"	ZVB6-BBBBCC-ENG	
4107219548	3/4" x 3/4" x 3/4" x 1" x 1" x 1-1/4"	ZVB6-BBBBCD-ENG	
<b>Empty Seven-Valve Zone Valve Box</b>			
4107219549	N/A	ZVB7-EMPTY	

Item Number	Valve Size	Model Number	Qty
<b>Seven-Valve Zone Valve Box</b>			
4107219550	1/2" x 1/2" x 1/2" x 1/2" x 1/2" x 1/2" x 1/2"	ZVB7-AAAAAAA-ENG	
4107219551	1/2" x 1/2" x 1/2" x 1/2" x 1/2" x 1/2" x 3/4"	ZVB7-AAAAAAB-ENG	
4107219552	1/2" x 1/2" x 1/2" x 1/2" x 1/2" x 1/2" x 1"	ZVB7-AAAAAAC-ENG	
4107219553	1/2" x 1/2" x 1/2" x 1/2" x 1/2" x 1/2" x 1-1/4"	ZVB7-AAAAAAD-ENG	
4107219554	1/2" x 1/2" x 1/2" x 1/2" x 1/2" x 3/4" x 3/4"	ZVB7-AAAAABB-ENG	
4107219555	1/2" x 1/2" x 1/2" x 1/2" x 1/2" x 3/4" x 1"	ZVB7-AAAAABC-ENG	
4107219556	1/2" x 1/2" x 1/2" x 1/2" x 1/2" x 3/4" x 1-1/4"	ZVB7-AAAAABD-ENG	
4107219557	1/2" x 1/2" x 1/2" x 1/2" x 1/2" x 1" x 1"	ZVB7-AAAAACC-ENG	
4107219558	1/2" x 1/2" x 1/2" x 1/2" x 1/2" x 1" x 1-1/4"	ZVB7-AAAAACD-ENG	
4107219559	1/2" x 1/2" x 1/2" x 1/2" x 1/2" x 1-1/4" x 1-1/4"	ZVB7-AAAAADD-ENG	
4107219560	1/2" x 1/2" x 1/2" x 1/2" x 3/4" x 3/4" x 3/4"	ZVB7-AAAABBB-ENG	
4107219561	1/2" x 1/2" x 1/2" x 1/2" x 3/4" x 3/4" x 1"	ZVB7-AAAABBC-ENG	
4107219562	1/2" x 1/2" x 1/2" x 1/2" x 3/4" x 3/4" x 1-1/4"	ZVB7-AAAABBD-ENG	
4107219563	1/2" x 1/2" x 1/2" x 1/2" x 3/4" x 1" x 1"	ZVB7-AAAABCC-ENG	
4107219564	1/2" x 1/2" x 1/2" x 1/2" x 3/4" x 1" x 1-1/4"	ZVB7-AAAABCD-ENG	
4107219565	1/2" x 1/2" x 1/2" x 1/2" x 3/4" x 1-1/4" x 1-1/4"	ZVB7-AAAABDD-ENG	
4107219566	1/2" x 1/2" x 1/2" x 3/4" x 3/4" x 1" x 1"	ZVB7-AAABBB-ENG	
4107219567	1/2" x 1/2" x 1/2" x 3/4" x 3/4" x 1" x 1-1/4"	ZVB7-AAABBC-ENG	
4107219568	1/2" x 1/2" x 1/2" x 3/4" x 3/4" x 1-1/4" x 1-1/4"	ZVB7-AAABBD-ENG	
4107219569	3/4" x 3/4" x 3/4" x 3/4" x 3/4" x 3/4" x 3/4"	ZVB7-BBBBBBB-ENG	
4107219570	3/4" x 3/4" x 3/4" x 3/4" x 3/4" x 3/4" x 1"	ZVB7-BBBBBBC-ENG	
4107219571	3/4" x 3/4" x 3/4" x 3/4" x 3/4" x 3/4" x 1-1/4"	ZVB7-BBBBBBD-ENG	
4107219572	3/4" x 3/4" x 3/4" x 3/4" x 3/4" x 1" x 1"	ZVB7-BBBBBCC-ENG	
4107219573	3/4" x 3/4" x 3/4" x 3/4" x 3/4" x 1" x 1-1/4"	ZVB7-BBBBBCD-ENG	
4107219574	3/4" x 3/4" x 3/4" x 3/4" x 3/4" x 1-1/4" x 1-1/4"	ZVB7-BBBBBDD-ENG	
4107219575	3/4" x 3/4" x 3/4" x 3/4" x 1" x 1" x 1"	ZVB7-BBBBCC-ENG	
4107219576	3/4" x 3/4" x 3/4" x 3/4" x 1" x 1" x 1-1/4"	ZVB7-BBBBCD-ENG	

**Gauges/Sensor Installation Kit**

Item Number	Description	System	Qty
4107655177	0-30"Hg VACUUM GAUGE, ZONE VALVE BOX WITH BEACONMEDAES BRANDING.	VACUUM, WAGD	
4107655178	0-100 PSIG PRESSURE GAUGE, ZONE VALVE BOX WITH BEACONMEDAES BRANDING	O2, AIR, N2O, CO2, MIXTURES	
4107655179	0-300 PSIG PRESSURE GAUGE, ZONE VALVE BOX WITH BEACONMEDAES BRANDING	NITROGEN, INSTRUMENT AIR, O2 (100 psig), AIR (100 psig), CO2 (100 psig)	
4107401625	REMOTE SENSOR INSTALLATION KIT FOR ZONE VALVE BOX (1/2" - 1-1/2" VALVES)		
4107401912	REMOTE SENSOR INSTALLATION KIT FOR ZONE VALVE BOX (2" VALVE)		

**Notes:**

- Order gauges (sold separately) for zone valve application.
- When installing sensors inside of zone valve box, order one remote sensor kit per gas.

BeaconMedaEs  
 1059 Paragon Way  
 Rock Hill, SC 29730  
 Phone: (803) 817-5600  
 Fax: (803) 817-5750  
 www.beaconmedaes.com

